



1 2 3 4 5

A

B

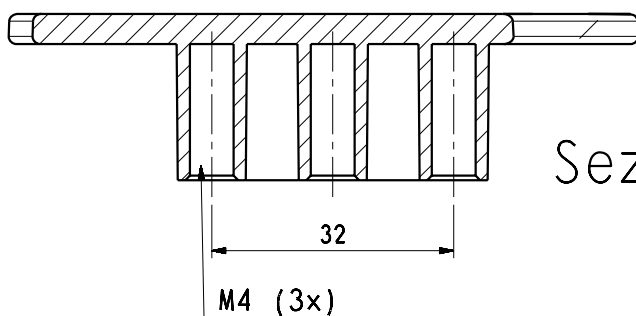
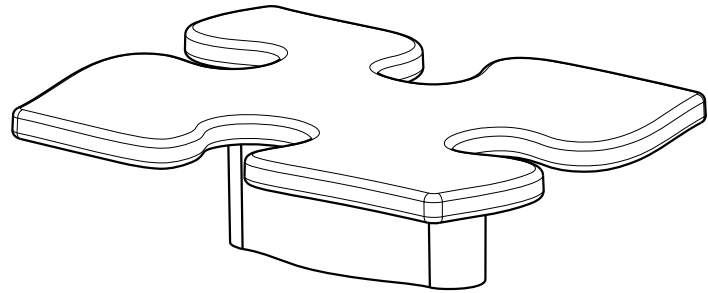
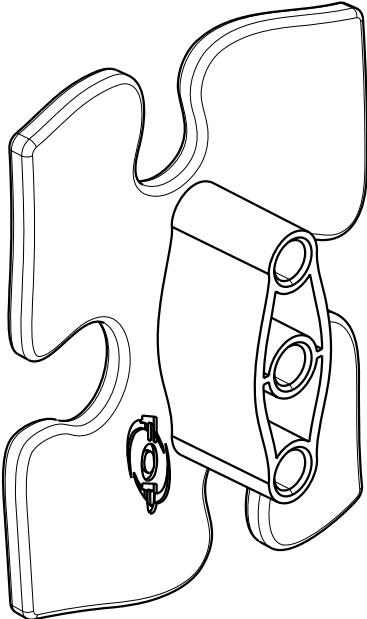
C

D

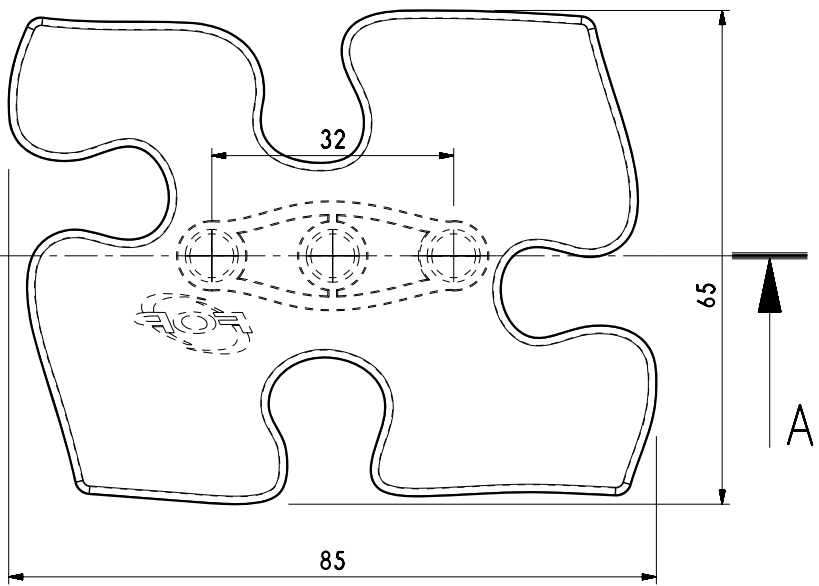
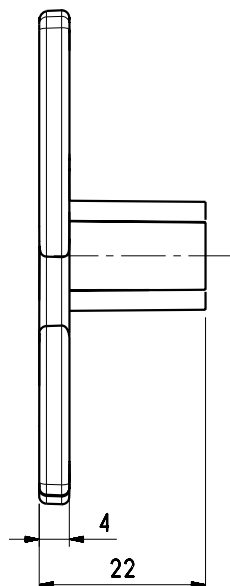
E

F

G



Sez. A-A



MATERIAL: ABS

REV	POSITION	DESCRIPTION	DATE	NAME
			UNIT mm	TYPE DRAFT DRAWING
FILENAME ****		CREATED BY ****		FORMAT A4
CLIENT ****		CREATION DATE ****		REVISION ***
ART. 1026		PART CODE 		SCALE 1:1
PROJECT NAME ****		TOOL CODE 		SHEET 1/1
		CHECKED BY ****		CHECKED_DATE ****

1 2 3 4 5